

Established
since 1990



康力企業有限公司 (171157-W)

CONLEX ENTERPRISE SDN.BHD.

1 Stop Water Storage
Solution System

1st
Pioneer In Stainless Steel
&
Anti Bacteria Water Tank





A CLEAR CHOICE TO WATER STORAGE MANAGEMENT SYSTEM

Water management has evolved tremendously through the times. Since the era of water filtration and treatment technology that took the world by storm and churned up waves of new innovations in its path, it has also fueled the needs of a much improved water storage system for the new modern lifestyle.



OUR PHILOSOPHY

Water defines life. Good water management defines healthy living and good conservation for our environment.

Conlex Enterprise's vision is to provide Malaysians with the ultimate water management system that is good for health as well as the environment. Our motto is to provide "quality service guarantee" to our customers. We promise to continue our research and development into new and cutting edge technology to fulfill the needs of the contemporary lifestyle of today.



Conlex Enterprise is a water tank manufacturer. We have been on the map of the water storage industry since the 1980s. From our humble beginnings in the fabrication of fibre-reinforced tanks to PE water tanks, it has been our goal to develop the ultimate water tank of all times. Over the years of becoming the professional Malaysia water tank manufacturer, the Conlex Group is currently made up of 4 subsidiaries namely Shinglex Timber Trading Sdn Bhd (a hardware shop established in 1985),

Conlex Enterprise Sdn Bhd (a water tank factory founded in 1988) ,

Gallex Precision industrial Sdn Bhd (set up in 1989) and Surimaju Sdn Bhd Trading (establish at 2010).

Water Tank, Septic Tank, Flora Tank, PE Tank and many others, all under the roof of The Conlex Group.



Stainless Steel Water Tank

PE Water Tank

Nices Water Filter

Septic Tank

Stainless Steel Grease Trap

Rainwater Harvesting Tank

Deluxe 1 Stop Water Storage System

30年卓越品牌是您长期的信任，确保洁净水质的一站式储水设备

Deluxe
SUS 304 STAINLESS STEEL

Deluxe
Premium 316

Deluxe
Rainwater Harvesting Tank

1990

2004

2010

2011

2014

2016

Deluxe
PE Water & Septic Tank

Deluxe
NICES WATER FILTER

Deluxe
STAINLESS STEEL
GREASE TRAP

CONTENTS

- 1 Deluxe SUS 316 
- 3 Deluxe SUS 304 
- 6 TRReinz SUS 304 
- 8 DWT SUS 304 
- 10 DOS on Ground 
- 13 PE water tank 
- 15 Non approved Septic Tank 
- 16 SPAN approved septic tank 
- 18 Deluxe sus304 Grease Trap 
- 19 Nices water Filter 
- 21 Ace water filter 
- 22 Project Reference

不銹鋼是一種抗腐蝕性較強的鋼材之一但並非完全不生銹。

在水性和環境不好的地方，水源被污染導致生銹是人身健康的紅燈。

工業化環境高度污染，自來水裏漂白水氧化學性水蒸氣嚴重侵蝕，

304 鋼材較易被腐蝕，尤其是在通風不良的環境以及抽取地下水更是常見。

本公司自國外進口316的鋼材，在耐酸鹼和抗銹蝕會有更好的功能，

希望能為消費者提供更好的服務。

Deluxe Premium 316 是水塔文明的極品,同时也是您长期值得信赖的优良品牌。

Stainless steel is an iron-carbon alloy with a content of chromium and nickel. Stainless steel does not stain, corrode or rust as easily as “ordinary steel”.

Grade 316 is an austenitic chromium nickel stainless steel containing molybdenum , second important to grade 304.

The molybdenum gives 316 better overall corrosion resistant properties to Grade 304.

Deluxe Premium 316 is particularly higher resistance to pitting and crevice corrosion in chloride environments. especially for industrial usage, marine & coastal area applications.

Choose for Premium Quality, choose Deluxe Premium 316.

Grade 316 Properties Content

<i>Chromium</i>	<i>16-18%</i>	<i>Carbon</i>	<i>< 0.08%</i>
<i>Nickel</i>	<i>10-14%</i>	<i>Phosphorus</i>	<i>< 0.045%</i>
<i>Molybdeum</i>	<i>2-3%</i>	<i>Sulfur</i>	<i>< 0.03%</i>
<i>Manganese</i>	<i>< 2%</i>	<i>Silicone</i>	<i>< 0.75%</i>
<i>Fe</i>	<i>< 0.03%</i>	<i>Iron</i>	<i>Balance</i>

With Stand / Round Bottom 圆底有脚

Model	Nominal Capacity		External Diameter With Stand	External Height With Stand	(RRP)
	Litres	Gallons			
DP 10KT	500	110	760mm 30"	1720mm 68"	1,900.00
DP 25K	1,000	220	1060mm 42"	1850mm 73"	3,000.00
DP 40K	1,600	350	1290mm 51"	1880mm 74"	4,300.00
DP 50K	2,000	440	1480mm 58"	1880mm 74"	5,300.00
DP 60K	3,000	660	1480mm 58"	2500mm 98"	7,800.00
DP 80K	4,000	880	1480mm 58"	3100mm 122"	9,700.00
DP 100K	5,000	1,100	1760mm 69"	2670mm 105"	12,400.00
DP 120K	6,000	1,320	1760mm 69"	3250mm 128"	16,500.00



Without Stand / Flat Bottom 平底无脚

Model	Nominal Capacity		External Diameter	External Height	(RRP)
	Litres	Gallons			
DP 10FT	500	110	700mm 28"	1440mm 57"	1,700.00
DP 25F	1,000	220	900mm 39"	1530mm 60"	2,500.00
DP 40F	1,600	350	1230mm 49"	1550mm 61"	3,700.00
DP 50F	2,000	440	1420mm 56"	1580mm 62"	4,600.00
DP 60F	3,000	660	1420mm 56"	2140mm 84"	7,000.00
DP 80F	4,000	880	1420mm 56"	2720mm 107"	8,700.00
DP 100F	5,000	1,100	1700mm 67"	2160mm 85"	11,000.00
DP 120F	6,000	1,320	1700mm 67"	2750mm 108"	14,800.00



Horizontal withstand 卧式有脚

Model	Nominal Capacity		External Diameter	External Length	External Height	(RRP)
	Litres	Gallons				
DP 10KH	500	110	760mm 30"	1350mm 53"	1090mm 43"	2,600.00
DP 25KH	1,000	220	1040mm 41"	1550mm 61"	1370mm 54"	4,100.00
DP 40KH	1,600	350	1270mm 50"	1620mm 64"	1550mm 61"	5,800.00
DP 50KH	2,000	440	1270mm 50"	1900mm 75"	1550mm 61"	7,100.00
DP 60KH	3,000	660	1270mm 50"	2820mm 111"	1550mm 61"	9,100.00



30 Years of Trusted Brand For A Healthier Life
Deluxe 30 年卓越品牌是您长期信任，同时提供洁净水源的储水桶。

高2寸上盖 2 inch high Top Cover
 By using 50 mm deep top & bottom Cover
 Extra 5% Water Capacity
 坚持超厚 50 mm 上下盖，增加 5% 容量

**4寸散热透气帽
 4 inch air ventilation to minimize heat**

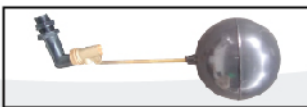
**坚持采用超厚日本 SUS 304 白钢板
 Nippon Steel SUS 304**

深2寸下盖 2 inch deep bottom cover

**1寸大排污口，排出沉淀物
 1 inch discharge point to clear sediment**

**坚持采用 SUS 304 超厚白钢脚
 Only using SUS 304 for stand but no other materials**

**坚持采用原装外国进口高级白钢配件
 Only using original imported stainless steel spare parts**



Special built in "POM" elbow with 3/4inch float valve



SURUHANJAYA PERKHIDMATAN AIR NEGARA
 No. Sijil Pendaftaran : SPAN/KP/A/00003-2008



10 YEARS WARRANTY



IKRAM/B024
 E1104/N2700(P1)



Conlex Philosophy

commitments to customer satisfaction at all times is consistent with the high quality stainless steel tanks to meet the increasing customers expectations.

30years

of experience in manufacturing of high quality stainless steel water storage tanks.

Premium Steel

selected stainless steel manufacturer, known for supreme thickness consistency offers impeccable quality assurance.

5%

unique tank design generated extra 5% more net water holding capacity.

1st

manufacturer to be awarded IKRAM, SIRIM and SPAN Certification of product approval in technical and quality standards.

Premium

most preferred premium brand by quality conscious customers such as high end residential property owner & developers.

Vertical Withstand/ Round Bottom

有脚/圓底

Code Number 規格編號	Capacity (Liters) 容量 (Gallons)		External w/Stand	Diameter 總直徑	External w/Stand	Height 總高度	RRP
CL 5K	250	55	760mm	30"	1140mm	45"	850.00
CL 10KT	500	110	760mm	30"	1850mm	69"	1,100.00
CL 20K	850	190	910mm	36"	1850mm	73"	1,530.00
CL 25K	1,000	220	1060mm	42"	1850mm	73"	1,700.00
CL 30K	1,250	275	1140mm	45"	1850mm	73"	1,950.00
CL 40K	1,600	350	1290mm	51"	1900mm	75"	2,400.00
CL 50KT	2,000	440	1290mm	51"	2210mm	87"	2,950.00
CL 50K	2,000	440	1480mm	58"	1930mm	76"	2,950.00
CL 55K	2,300	510	1290mm	51"	2560mm	101"	3,300.00
CL 60K	3,000	660	1480mm	58"	2540mm	100"	4,380.00
CL 80K	4,000	880	1480mm	58"	3150mm	124"	5,400.00
CL 100K	5,000	1,100	1760mm	69"	2720mm	107"	7,900.00
CL 120K	6,000	1,320	1760mm	69"	3300mm	130"	9,450.00
CL 160K	7,500	1,650	1960mm	77"	3300mm	130"	11,800.00
CL 220K	10,000	2,200	1960mm	77"	4520mm	178"	16,800.00
CL 220KL	10,000	2,200	2260mm	89"	3330mm	131"	16,800.00
CL 330K	15,000	3,300	2260mm	89"	4520mm	178"	25,200.00
CL 440K	20,000	4,400	2260mm	89"	5490mm	216"	33,600.00



Horizontal Withstand

有脚/臥室

Code Number 規格編號	Capacity (Liters) 容量 (Gallons)		External 總直徑	Diameter	External 總長度	Length	External 總高度	Height	RRP
CL 10KH	500	110	760 mm	30"	1350 mm	53"	1090 mm	43"	1,450.00
CL 20KH	850	190	910 mm	36"	1400 mm	55"	1220 mm	48"	2,040.00
CL 25KH	1,000	220	1040 mm	41"	1550 mm	61"	1370 mm	54"	2,300.00
CL 30KH	1,250	275	1110 mm	44"	1600 mm	63"	1420 mm	56"	2,750.00
CL 40KH	1,600	350	1270 mm	50"	1620 mm	64"	1550 mm	61"	3,200.00
CL 50KH	2,000	440	1270 mm	50"	1900 mm	75"	1550 mm	61"	4,000.00
CL 60KH	3,000	660	1270 mm	50"	2820 mm	111"	1550 mm	61"	5,100.00
CL 80KH	4,000	880	1520 mm	60"	2950 mm	116"	1880 mm	74"	6,800.00
CL 100KH	5,000	1,100	1800 mm	71"	2200 mm	87"	2100 mm	83"	10,000.00
CL 120KH	6,000	1,320	1750 mm	69"	2840 mm	112"	1950 mm	77"	12,000.00
CL 160KH	8,000	1,650	1960 mm	77"	2840 mm	112"	2200 mm	87"	16,000.00
CL 220KH	10,000	2,200	1960 mm	77"	4010 mm	158"	2200 mm	87"	22,000.00
CL 330KH	15,000	3,300	2410 mm	95"	4010 mm	158"	2510 mm	99"	33,000.00
CL 440KH	20,000	4,400	2410 mm	95"	5180 mm	204"	2510 mm	99"	48,000.00





Earth Shape Withstand

球形有脚

Code Number 規格編號	Capacity (Liters) 容量 (Gallons)		External w/Stand	Diameter 總直徑	External 總高度	Height	RRP
CL 15KB	500	110	1140mm	45"	1270mm	50"	1,400.00
CL 25KB	1,000	220	1340mm	53"	1520mm	60"	1,900.00
CL 35KB	1,500	330	1500mm	59"	1550mm	61"	3,500.00



Vertical Without Stand/ Flat Bottom

無脚/平底

Code Number 規格編號	Capacity (Liters) 容量 (Gallons)		External 總直徑	Diameter	External 總高度	Height	RRP
CL 5F	250	55	710 mm	28"	910 mm	36"	770.00
CL 10FT	500	110	710 mm	28"	1450 mm	57"	1,000.00
CL 20F	850	190	860 mm	34"	1530 mm	60"	1,360.00
CL 25F	1,000	220	990 mm	39"	1530 mm	60"	1,450.00
CL 30F	1,250	275	1070 mm	42"	1530 mm	60"	1,680.00
CL 40F	1,600	350	1250 mm	49"	1550 mm	61"	2,050.00
CL 50FT	2,000	440	1250 mm	49"	1880 mm	74"	2,580.00
CL 50F	2,000	440	1420 mm	56"	1580 mm	62"	2,580.00
CL 55F	2,300	510	1250 mm	49"	2210 mm	87"	2,900.00
CL 60F	3,000	660	1420 mm	56"	2140 mm	84"	3,930.00
CL 60 FL	3,000	660	1700 mm	67"	1650 mm	65"	4,980.00
CL 80F	4,000	880	1420 mm	56"	2720 mm	107"	4,880.00
CL 100F	5,000	1,100	1700 mm	67"	2160 mm	85"	6,800.00
CL 120F	6,000	1,320	1700 mm	67"	2800 mm	110"	8,250.00
CL 160F	7,500	1,650	1880 mm	74"	2800 mm	110"	10,600.00
CL 220F	10 000	2 200	1880 mm	74"	3970 mm	156"	14,600.00
CL 220FL	10,000	2,200	2210 mm	87"	2800 mm	110"	14,600.00
CL 330F	15,000	3,300	2210 mm	87"	3970 mm	156"	22,000.00
CL 440F	20,000	4,400	2210 mm	87"	4870 mm	192"	30,000.00

TReinz WATER TANK sus304 STAINLESS STEEL



“When hygiene and durability are paramount, there is not alternative to Stainless Steel”

DURABLE
HYGENIC
RELIABLE

Whether replacing, upgrading or building a whole new water system, TRAIN Water Tank's focus on various water systems has earned us the reputation as a water storage one stop centre founded on a bedrock of quality service. Our compliance expertise is further enhanced by years of experience working with local health and building departments on variety of tanks and water remediation issues. Train Water Tank offers you the affordable price but never compromises on the quality. Water Tank Performance is best when installed in open and well ventilated environment.



Special built in "POM" elbow with 3/4inch float valve

SPAN

SURUHANJAYA PERKHIDMATAN AIR NEGARA
No. Sijil Pendaftaran : SPAN/KP/A/00003-2008



10 YEARS WARRANTY



Taiwan Technology

10 Years Warranty Not Applicable For Covered Area (Under The Roof) / Below Ground Level / Basement.

TRReinz WATER TANK sus304 STAINLESS STEEL

Benefits / Advantages



Free From Odour
无气味



Anti Bacteria
无细菌



Free From Chemical
无化学制品



Easy to install
容易安装



Heat resistant
抗热

With Stand / Round Bottom 圆底有脚

Code Number 规格编号	Capacity (Liters)容量	Gallon 加仑	External Diameter With Stand 总值经		External Height With Stand总高度		RRP (RM)
SM 10K	500	110	760mm	30"	1700mm	67"	1100
SM 20K	850	190	910mm	36"	1800mm	71"	1530
SM 25K	1,000	220	1040mm	41"	1800mm	71"	1700
SM 30K	1,250	275	1120mm	44"	1800mm	71"	1950
SM 40K	1,500	330	1240mm	49"	1800mm	71"	2250
SM 50K	2,000	440	1240mm	49"	2130mm	84"	2950
SM 60K	3,000	660	1480mm	58"	2490mm	98"	4380
SM 80K	4,000	880	1480mm	58"	3100mm	122"	5400

General Type Without Stand / Flat Bottom 平底

Code Number 规格编号	Capacity (Liters)容量	Gallon 加仑	External Diameter With Stand 总值经		External Height With Stand总高度		RRP (RM)
SM 10F	500	110	700mm	28"	1420mm	56"	1000
SM 20F	850	190	850mm	34"	1520mm	60"	1360
SM 25F	1,000	220	990mm	39"	1520mm	60"	1450
SM 30F	1,250	275	1060mm	42"	1520mm	60"	1680
SM 40F	1,500	330	1200mm	47"	1520mm	60"	1920
SM 50F	2,000	440	1200mm	47"	1880mm	74"	2580
SM 60F	3,000	660	1420mm	56"	2140mm	84"	3930
SM 80F	4,000	880	1420mm	56"	2700mm	107"	4880

*All the above tanks are supplied with lids.

*Size and capacity not listed are available on order.

10 Years Warranty Not Applicable For Covered Area (Under The Roof) / Below Ground Level / Basement.



SUS 304 STAINLESS STEEL WATER TANK

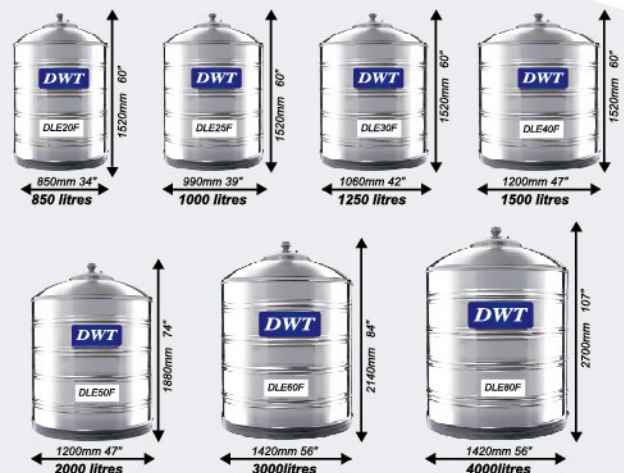
With Stand / Round Bottom

Model	Capacity Litres(Gallons)	External Diameter	External Height	RRP
DLE10K	500(110)	760mm 30"	1700mm 67"	1100
DLE20K	850 (190)	910mm 36"	1800mm 71"	1530
DLE25K	1000 (220)	1040mm 41"	1800mm 71"	1700
DLE30K	1250 (275)	1120mm 44"	1800mm 71"	1950
DLE40K	1500 (330)	1240mm 49"	1800mm 71"	2250
DLE50K	2000 (440)	1240mm 49"	2130mm 84"	2950
DLE60K	3000 (660)	1480mm 58"	2490mm 98"	4380
DLE80K	4000 (880)	1480mm 58"	3100mm 122"	5400



Without Stand / Flat Bottom

Model	Capacity Litres(Gallons)	External Diameter	External Height	RRP
DLE10F	500(110)	700mm 28"	1420mm 56"	1000
DLE20F	850 (190)	850mm 34"	1520mm 60"	1360
DLE25F	1000 (220)	990mm 39"	1520mm 60"	1450
DLE30F	1250 (275)	1060mm 42"	1520mm 60"	1680
DLE40F	1500 (330)	1200mm 47"	1520mm 60"	1920
DLE50F	2000 (440)	1200mm 47"	1880mm 74"	2580
DLE60F	3000 (660)	1420mm 56"	2140mm 84"	3930
DLE80F	4000 (880)	1420mm 56"	2700mm 107"	4880

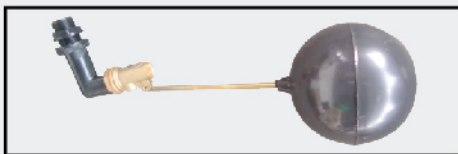
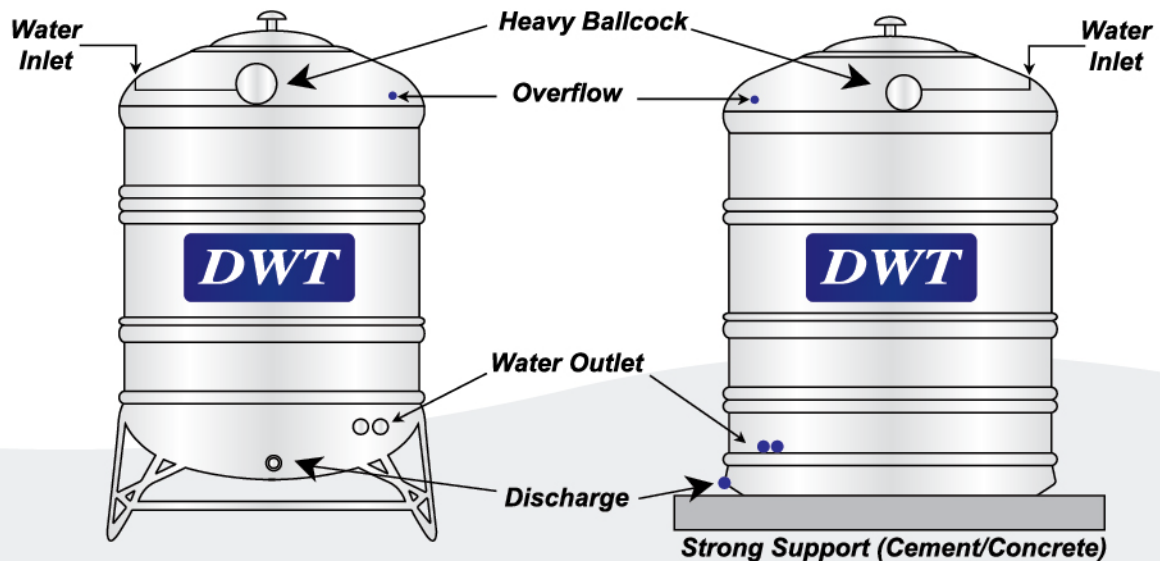


*10 Years Warranty Not Applicable for Covered Area (Under The Roof/Below Ground Level/Basement)

DWT sus304 STAINLESS STEEL WATER TANK

A Reliable And Cost Effective Alternative Without Compromising Quality

- **Another product by Conlex Enterprise Sdn Bhd produced under strict manufacturing standards to meet market requirements and needs**
- **Durable, Elegant, Easy To Maintain**
- **Value for money**
- **Offer strong protection against water contamination (fungus, algae, toxin, odour, bacteria and uninvited elements that affect the water quality)**
- **Suitable for outdoor installation**



Special built in ""POM"" elbow with 3/4inch float valve

- **All the above tanks are supplied with lids**
- **Size and capacity not listed are available upon request**
- **Prices are subjected to change without prior notice**

**10 Years Warranty Not Applicable for Covered Area (Under The Roof/Below Ground Level/Basement)*



Food Grade 100%



DOS LIFE Project



F&B M'CD Restaurant

DOS LIFE Building



DOS LIFE Real Estate



Residential Project

DOS
LIFE
MONTBLANC
(HY-06)

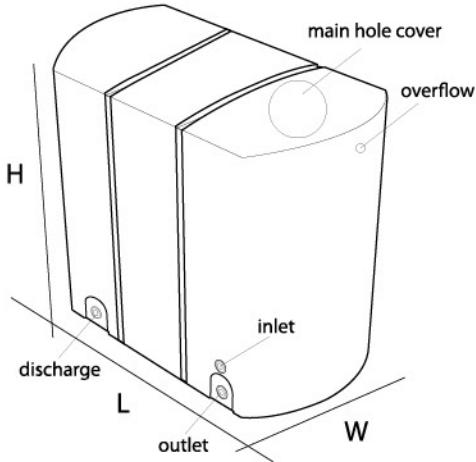


DOS
LIFE
TIMBERA
(HY-07)



Montblanc & Timbera **DOS** Water Tank with aesthetic design. Inspired by natural garden concept with rock & timber like finishing. Decorate the tank your way with accessories.

DOS EXCLUSIVE COLOR



Specification		MOB 900 (190 gallon)	Inches	RRP
Model Available		Montblanc (grey) Timbera (brown)		
Dimension	Width (W : mm.)	680	27	3,000
	Length (L : mm.)	1370	54	3,000
	Height (H : mm.)	1100	43	3,000
	Cover (Ø : mm.)	400	16	3,000
	Inlet (Ø : mm.)	25	1	3,000
	Outlet (Ø : mm.)	25	1	3,000
Persons	Residential (ppl)	4-5		3,000
	Office (ppl)	15-20		3,000

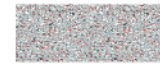




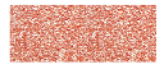
NATURA

(HY-01)

DOS EXCLUSIVE COLOR



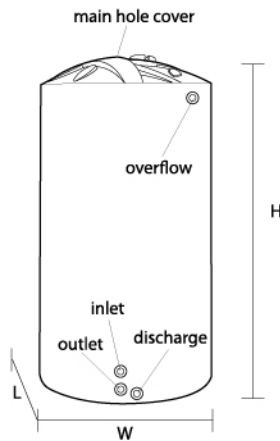
GRANITE GRAY (GY)



GRANITE RED (RD)

Technology leader in Thailand

silvernano hamony design with natural decorative pattern on tank produced with special grade Polymer Elixer, UV protection up to level 20, non-algae, and 25 years warranty.



<i>Natura</i>		NSN 1000 (220 gallon)	Inches	RRP	NSN 1500 (330 gallon)	Inches	RRP	NSN 2000 (440 gallon)	Inches	RRP
Dimension	Width (W : mm.)	938	37	2,500	1157	45	3,000	1213	48	3,500
	Length (L : mm.)	938	37	2,500	1157	45	3,000	1213	48	3,500
	Height (H : mm.)	1780	70	2,500	1775	70	3,000	2030	80	3,500
	Cover (Ø : mm.)	400	16	2,500	400	16	3,000	400	16	3,500
	Inlet (Ø : mm.)	25	1	2,500	25	1	3,000	25	1	3,500
	Outlet (Ø : mm.)	25	1	2,500	25	1	3,000	50	2	3,500
Persons	Residential (ppl)	4-5		2,500	6-8		3,000	9-10		3,500
	Office (ppl)	15-20		2,500	21-30		3,000	31-40		3,500

Special Features Anti-Bacteria Water Tank and UV20



ANTI-BACTERIA WATER TANK

特殊抗菌

Certified by international institutes for its high efficiency to inhibit bacteria and microorganisms.



NON ALGAE

防止青苔, 藻类

Special materials prevent the formation of algae.



UV STABILIZER

防紫外线

UV stabilizer which prevents colour fading and deterioration.



SPECIAL DESIGN

特制入水管

Pipes are hidden inside the tank leaving the exterior attractive and harmonious with every decoration style.



NEW TANK BOTTOM DESIGN

特制下盖

New tank bottom design enclose on the ground to prevents dust and insect stay under the bottom of tank.



INTERNATIONAL STANDARD CERTIFICATE

国际认证

With TIS 1379-2551 And ISO 9001:2008



NEW TANK COVER DESIGN

特制紧密小盖

Made with model injection, tight fit and preventing dust and insects from getting inside.



HEALTH SAFE FOOD GRADE MATERIAL

美国食品药品监督管理局认证

Certified by the American FDA.



Deluxe
ROUND



Deluxe
ROUND
SLIM & TALL



Suruhanjaya Perkhidmatan Air Negara
SPAN / BPI / 300-10 / 47 / AW-2



IKRAM-B024-E11032-N3512



recycle powder can cause allergy and other related health problems especially to babies and mothers during pregnancy. Then choose 100% ORIGINAL FOOD GRADE powder material.

*100% ORIGINAL FOOD GRADE
This powder produces perfect elasticity due to it's "unique softness" in the ingredient.*

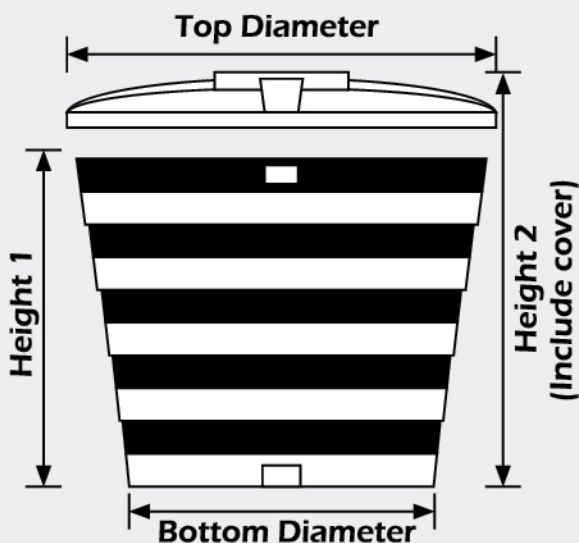
Deluxe PE TANK . ROUND SERIES

MODEL	CAPACITY Litres (Gallons)		EXTERNAL DIMENSION (Inches)				RRP (RM)
	Effective	Maximum	Top Diameter	Bottom Diameter	Height1	Height2	
N 70 RD	318 (70)	455 (100)	42"	37"	24"	28"	195
N 100 RD	455 (100)	682 (150)	46"	42"	24"	30"	250
N 150 RD	682 (150)	909 (200)	51"	45"	28"	33"	335
N 200 RD	909 (200)	1137 (250)	57"	47"	29"	36"	415
N 250 RD	1137 (250)	1365 (300)	57"	48"	33"	38"	495
N 300 RD	1365 (300)	1820 (400)	60"	50"	39"	43"	655
N 350 RD	1590 (350)	2043 (450)	62"	51"	43"	50"	735
N 400 RD	1820 (400)	2270 (500)	68"	54"	45"	52"	825
N 500 RD	2270 (500)	2730 (600)	70"	56"	53"	59"	1050



Deluxe PE TANK . ROUND SERIES (NEW MODEL) SLIM & TALL

MODEL	CAPACITY Litres (Gallons)		EXTERNAL DIMENSION (Inches)				RRP (RM)
	Effective	Maximum	Top Diameter	Bottom Diameter	Height1	Height2	
N 70A RD	318 (70)	455 (100)	37"	24"	33"	38"	195
N 100A RD	455 (100)	682 (150)	43"	30"	34"	39"	250
N 150A RD	682 (150)	909 (200)	49"	36"	33"	39"	335
N 200A RD	909 (200)	1137 (250)	51"	38"	45"	48"	415
N 250A RD	1137 (250)	1365 (300)	51"	37"	51"	54"	495
N 300 AP RD	1365 (300)	1590 (350)	56"	41"	46"	52"	610
N 300A RD	1365 (300)	1820 (400)	56"	43"	51"	55"	655

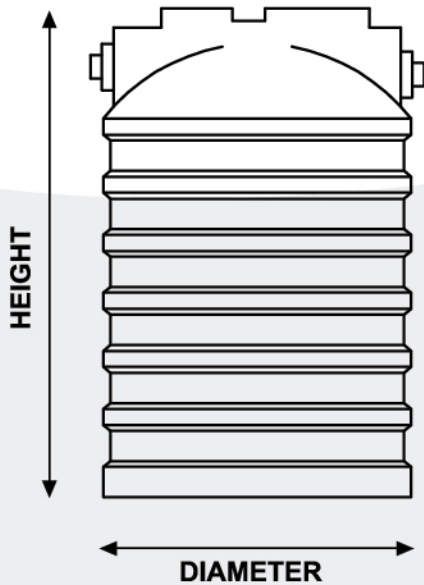


The dimensions given above are indicative and correspond to average results ($\pm 3\%$) at Conlex Quality Assurance Laboratories. The right is reserved to make changes at any time without notice as new information is obtained through product research and development. Prices are subjected to change without prior notice.

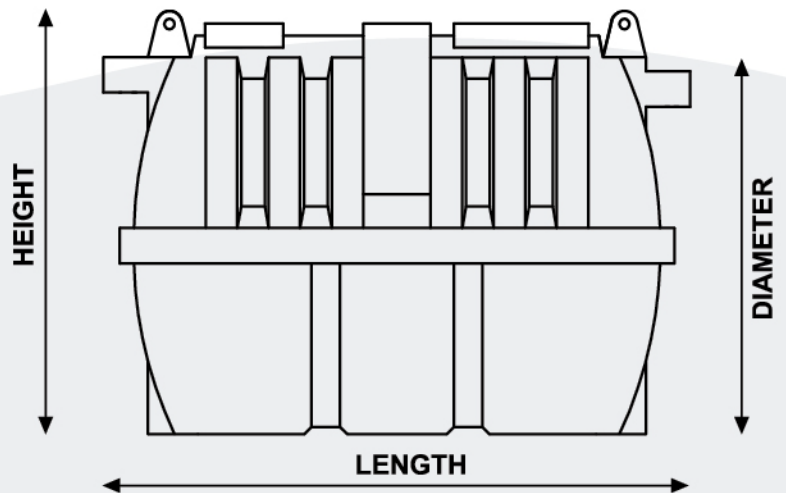
DELUXE PE SEPTIC TANKS SPECIFICATION (NON SPAN APPROVED)

MODEL	NEW DST-1A	DST-1	NEW DST-1V	DST-2B
TYPE	Horizontal	Horizontal	Vertical	Vertical
PERSONS SERVE	4 PE	5 PE	5 PE	6-8 PE
VOLUME, l	1,200	1,500	1,500	1,800
DIAMETER, mm	1,035	1,300	1,020	1,450
HEIGHT, mm	820	990	1,400	1,570
LENGTH, mm	1,210	1,525	n/a	n/a
INLET/OUTLET DIAMETER	100	100	100	100

Efluent to standard B - Environment Quality (Sewage and Industrial Effluents) Regulation, 1979



Vertical



Horizontal



25 Years of Product Excellence

PE SEPTIC TANKS

Sewerage Treatment System



DELUXE POLYETHYLENE SEPTIC TANK SEWERAGE TREATMENT SYSTEM



IKRAM-B024-E11032-N3512



SURUHANJAYA PERKHIDMATAN AIR NEGARA
No. Penyerahan SPAN: SPAN / BPI / 300-10 / 47 / A/W-2



5 YEARS
WARRANTY

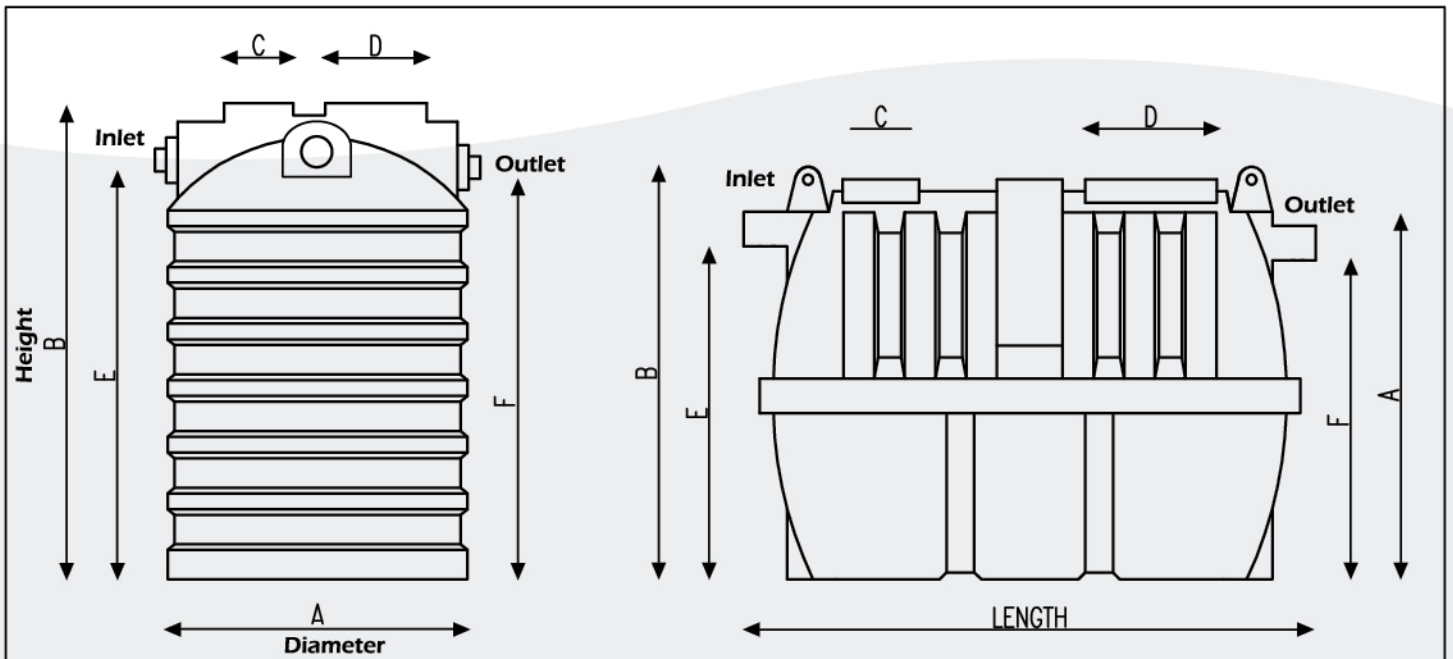
DELUXE PE SEPTIC TANKS SPECIFICATION

MODEL	DST-2A	DST-3	DST-2	DST-4	DST-5	DST-6
TYPE	VERTICAL	HORIZONTAL	VERTICAL	VERTICAL	VERTICAL	VERTICAL
PERSONS SERVE	7 PE	9 PE	10 PE	18 PE	21 PE	30 PE
EFFECTIVE VOLUME, l	>2,200LITERS	>2,700LITERS	>3,200LITERS	>5,500LITERS	>6,500LITERS	>9,600LITERS
HYDRAULIC RETENTION TIME, h	>24	>24	>24	>24	>24	>24
DIAMETER, mm (A)	1,470 mm	1,581 mm	1,617 mm	2,032 mm	2,175 mm	2,464 mm
HEIGHT, mm (B)	1,788 mm	1,623 mm	2,014 mm	2,260 mm	2,170 mm	2,620 mm
LENGTH, mm	N/A	1,992 mm	N/A	N/A	N/A	N/A
INLET/OUTLET DIAMETER, mm	100 mm	100 mm	100 mm	100 mm	100 mm	100 mm

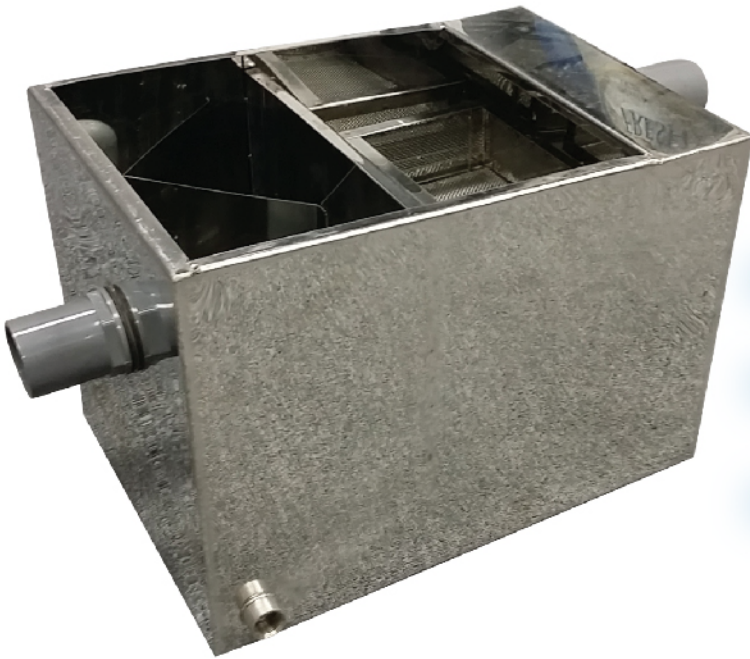
PRODUCT DIMENSION

A	1,470 mm	1,581 mm	1,617 mm	2,032 mm	2,175 mm	2,464 mm
B	1,788 mm	1,623 mm	2,014 mm	2,260 mm	2,170 mm	2,620 mm
C	>200 mm	>200 mm	>200 mm	>200 mm	>200 mm	>200 mm
D	>400 mm	>400 mm	>400 mm	>400 mm	>400 mm	>400 mm
E	1,533 mm	1,451 mm	1,768 mm	1,930 mm	1,950 mm	2,320 mm
F	1,455 mm	1,368 mm	1,687 mm	1,845 mm	1,870 mm	2,240 mm

EFFLUENT TO STANDARD B - ENVIRONMENTAL QUALITY (SEWAGE & INDUSTRIAL EFFLUENTS) REGULATION, 1979



CERTIFIED TO MS 2441-1:2012
IKRAM-B024-H0702-N0415



💧 **Hawker Centers** 💧

💧 **Food Courts**

💧 **Resorts**

💧 **Hospitals**

💧 **Cafeterias**

💧 **Hotels**

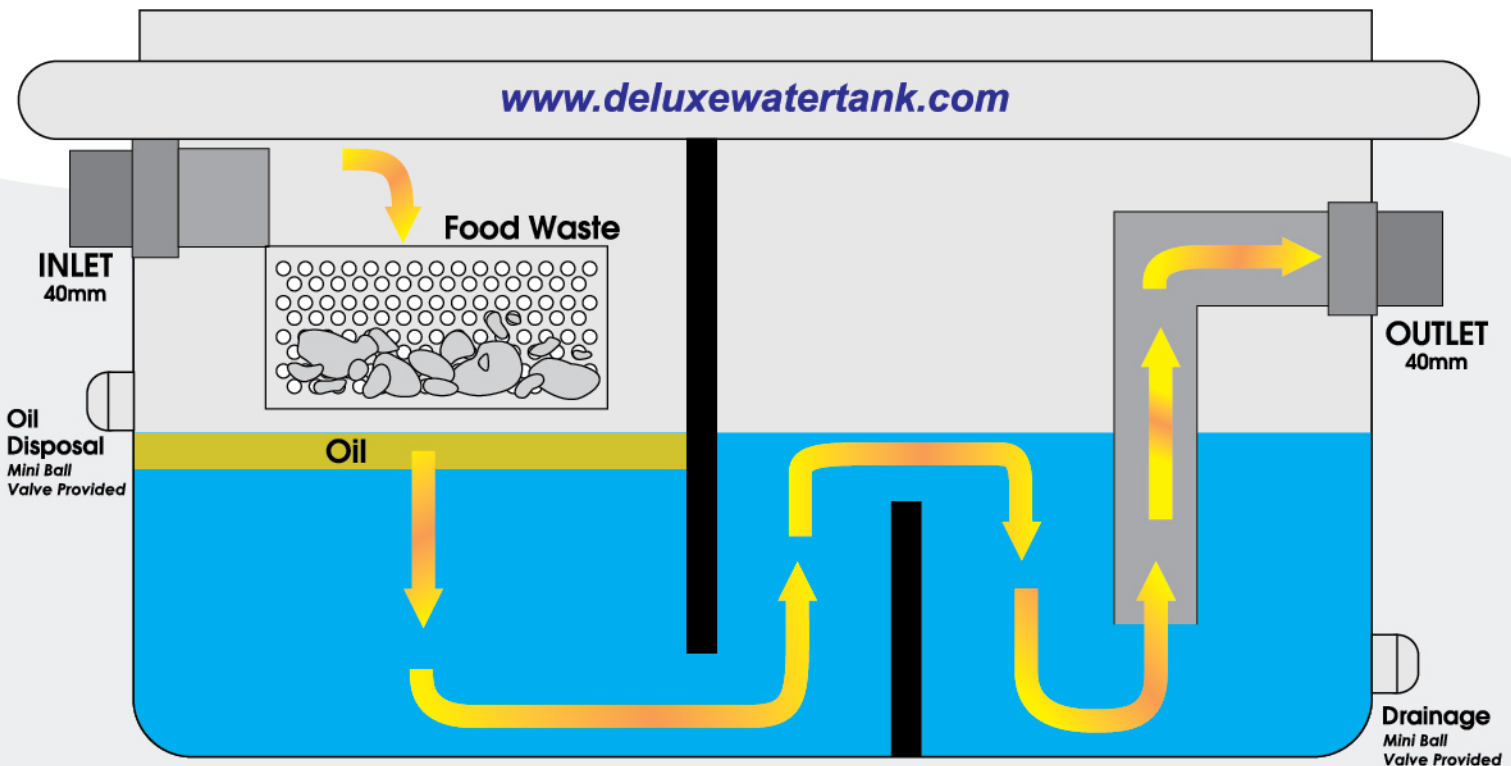
💧 **Kitchens**

- **Stainless steel built to last**
- **Lower maintenance**
- **Easy installation**
- **Easy inspection**
- **SUS 304 food grade quality**
- **Recyclables**

Improving Environmental Performance

Model	Capacity	Length	Width	Height
DGT30	30 Liter	457mm 18"	305mm 12"	305mm 12"
DGT60	60 Liter	610mm 24"	395mm 15"	530mm 20"

www.deluxewatertank.com

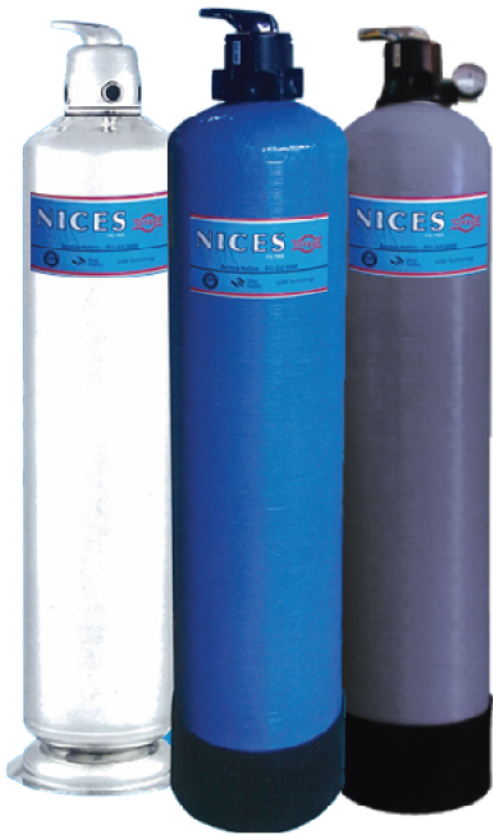


***Cleaner Water
For Everybody***



**NICES WATER FILTER SYSTEM
FOR COMMERCIAL AND RESIDENTIAL USE**

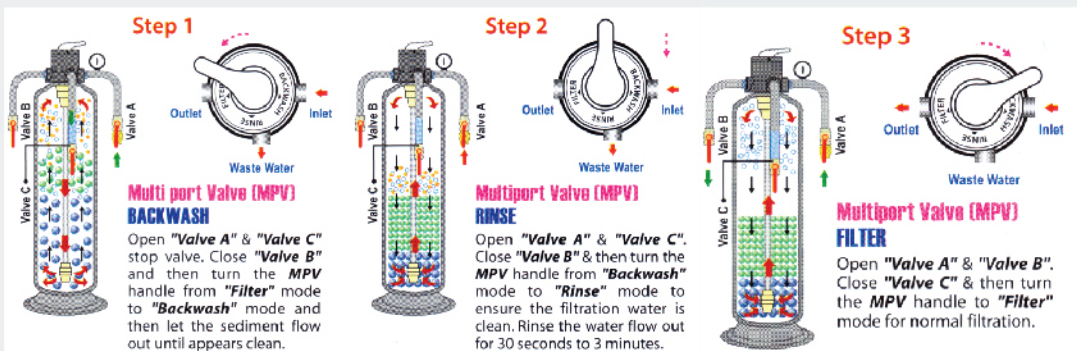
NICES WATER FILTER - 6 Layer Media



- ⑤ **Anthracite Carbon 碳**
While trapping the sediments, being the primary function of the carbon, it leaves 10% to 25% the chlorine in the water to give bacteria-static benefit to the water in the water tank
- ③ **Fine Caravel 细沙**
Remove dirt and prevent diseases such as typhoid, Cholera, Bihdryia and Amoeba.
- ① **Coarse Gravel 粗沙**
Anderbed support, to balance the pH and increase oxygen content and restoration of water quality.

- ⑥ **Bio Ceramic 生物陶瓷**
Bio Ceramic ball emit far-infrared to restructure water molecule into smaller. It also helps in the activation and oxygenation of water molecules for better cell absorption to promote metabolism and improve body immune and defense system.
- ④ **Zeolite (Australia) 火山石**
It is a naturally occurring mineral rock, formed when mineral-rich underground water deposits crystallize. Its porous crystalline structure provides advanced filtration properties and procures a unique capacity to adsorb ammonia and various ionic species (metal ions, calcium, magnesium etc).
- ② **Fine Sand 中沙**
Further trapping of very fine sedimen at the surface of fine silica sand.

	FRP	STAINLESS STEEL
Total Height	48inch/1200mm	48inch/1200mm
Tank Height	42inch/1050mm	42inch/1050mm
Tank Diameter	10inch/250mm	10inch/250mm
Valve Size	1 or 3/4 inch	1 or 3/4 inch
Media Capacity	44kg	44kg
Weight	50kg	48kg
Min. Working Pressure	25psi	25psi
Max. Working Pressure	120psi	120psi
Flow Rate	30Lpm	40Lpm



- 1 The colour in the backwash water indicates the level of dirt trapped by the Indah Water Filtration System.
- 2 Once th filter is clean, the backwash water will turn clean.

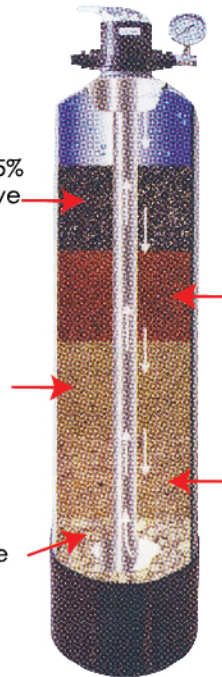
A♠E WATER FILTER - 5 Layer Media



Anthracite/Carbon 碳 ⑤
While trapping the sediments, being the primary function of the carbon, it leaves 10% to 25% the chlorine in the water to give bacteria-static benefit to the water in the water tank

Fine Caravel 细沙 ③
Remove dirt and prevent diseases such as typhoid, Cholera, Bihdryia and Amoeba.

Coarse Gravel 粗沙 ①
Anderbed support, to balance the pH and increase oxygen content and restoration of water quality.

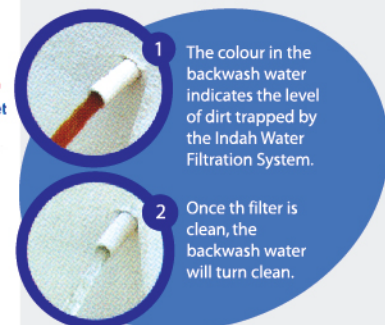
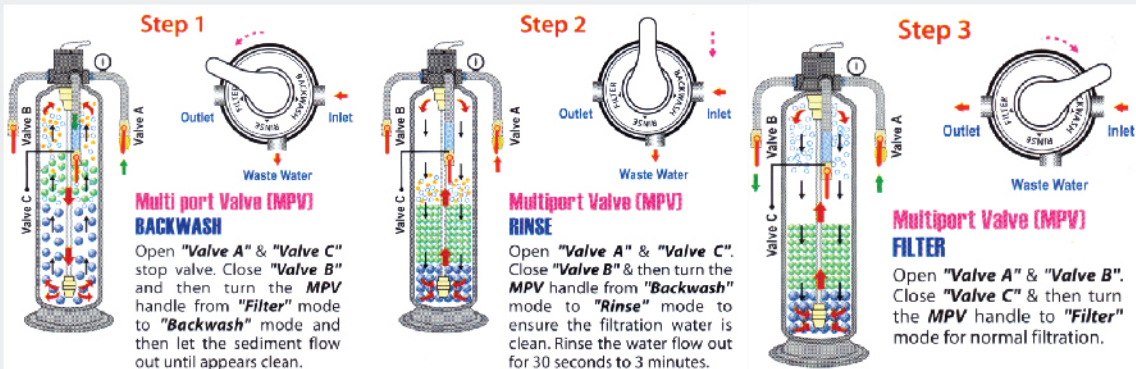


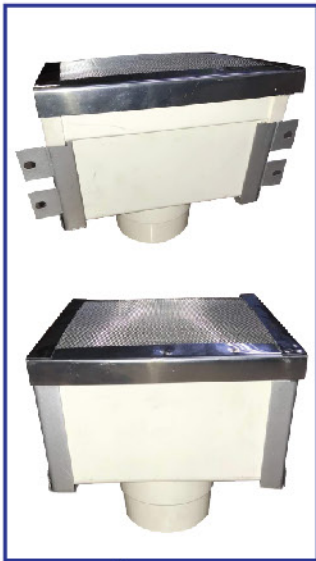
Zeolite 火山石 ④
It is a naturally occurring mineral rock, formed when mineral-rich underground water deposits crystallize. Its porous crystalline structure provides advanced filtration properties and procures a unique capacity to adsorb ammonia and various ionic species (metal ions, calcium, magnesium etc).

Fine Sand 中沙 ②
Further trapping of very fine sedimen at the surface of fine silica sand.

***5 layers media**

	FRP	STAINLESS STEEL
Total Height	48inch/1200mm	48inch/1200mm
Tank Height	42inch/1050mm	42inch/1050mm
Tank Diameter	10inch/250mm	10inch/250mm
Valve Size	1 or 3/4 inch	1 or 3/4 inch
Media Capacity	42kg	42kg
Weight	48kg	46kg
Min. Working Pressure	25psi	25psi
Max. Working Pressure	120psi	120psi
Flow Rate	30Lpm	40Lpm





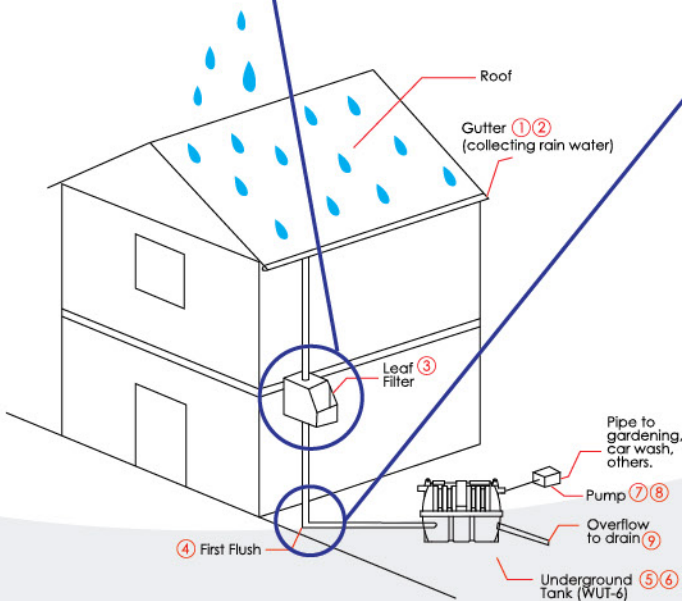
Leaf Filter System (LFS-3)
RRP : 300



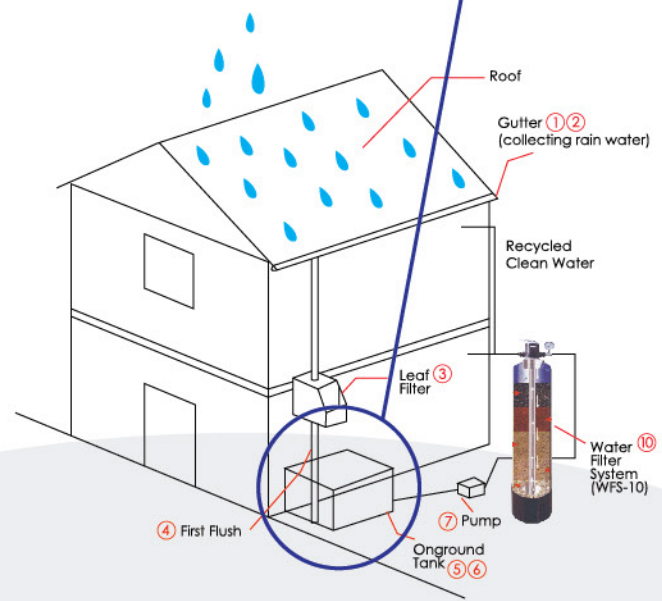
First Flush System (FFS-4)
RRP : 150



Water Storage Tank (WST-5)



Underground



Onground

ACTUAL PROJECT PICTURE

HOW DOES IT WORK?

1. Rainwater flows from rooftop to gutter.
2. Accumulated water from gutter will flow through down a customized piping.
3. The leaves and other unwated objects will be separated from the water by a leaf separator. **(LFS-3)**
4. First flush piping allow dirty water to flush out. **(FFS-4)**
5. The rainwater will then be stored in an underground / onground tank. **(WST-5)**
6. The water in the tank is ready to use. **(WUT-6)**
7. During usage, the water pump will extract the water from the tank and supply it to the water outlet.
8. The water outlet links to pipe for gardening, car wash and etc.
9. Excessive water will be flown out to the drain through a overflow pipe.
10. Filtering rain water to clean water for toilet purpose. **(WSF-10)**

PROJECT PHOTO



62 units Bangalow in Jalan Istana Selangor



16 units SemiD Bangalow in Kuala Klawang, NS



100,000 Liters Largest Capacity RO Water Treatment, NS



178 units 3 Storey Bangalow in Sungai Long, KL



Rainharvest Water Tank



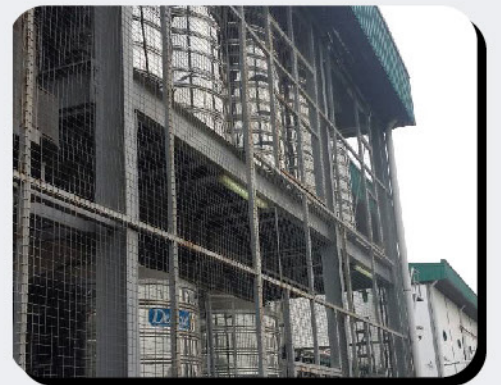
Bangalow in Bandar Sendayan, NS



278 units Superlink House in Cheras, KL



Cafe in Rimbau, EcoWorld



80,000 Liters For Food & Beverage in Masai, JB

*Thank
You*



Tel: (603) 3168 4525

Fax : (603) 3168 2952

Email: hello@deluxewatertank.com

Website: www.deluxewatertank.com

GST No : 001721483264

CONLEX ENTERPRISE SDN BHD (Co. No. 171157-W)

DELUXE ENTERPRISE SDN.BHD (979054-X)

Lot 8909, Jalan Besar Telok Gong, Kampung Telok Gong, 42000 Port Klang, Selangor Malaysia.